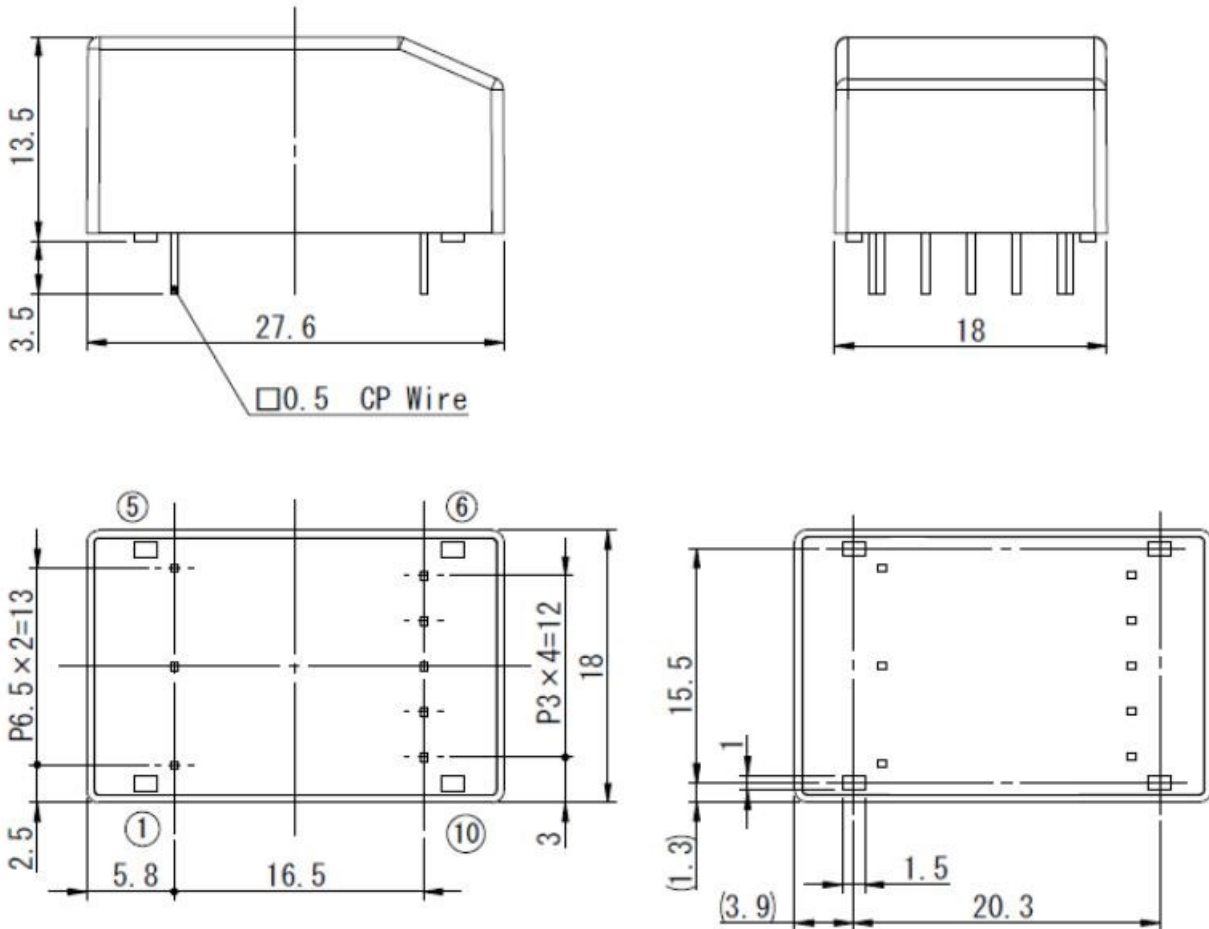


External Dimension / Pin Assignment

External dimensions/Pin assignment

SPM Series

External dimensions



Pin assignment

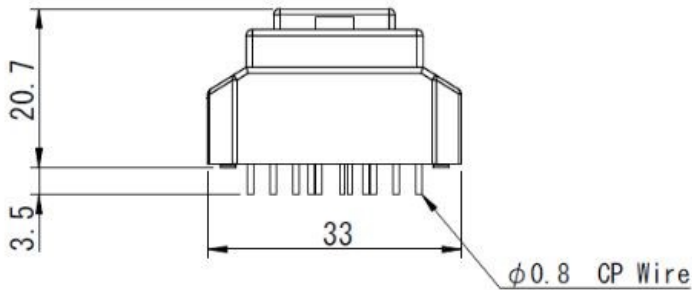
Primary side			Secondary side		
Pin No.	Name	Description	Pin NO	Name	Description
1	Vin(-)	Input (-)	6	N.C.	N.C. (unable to connect to other circuits)
2	-	No pin	7	N.C.	N.C. (unable to connect to other circuits)
3	Drain	Noise adjustment	8	W1	Secondary winding terminal
4	-	No pin	9	Vo	Output (+)
5	Vin(+)	Input (-)	10	GND	Output (-)

External Dimension / Pin Assignmet

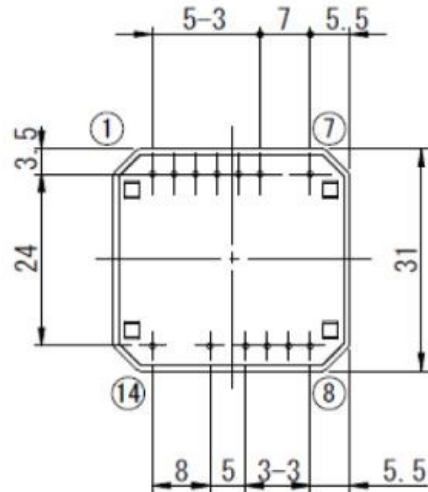
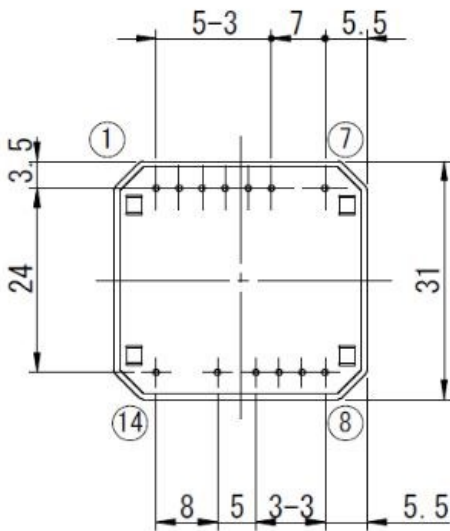
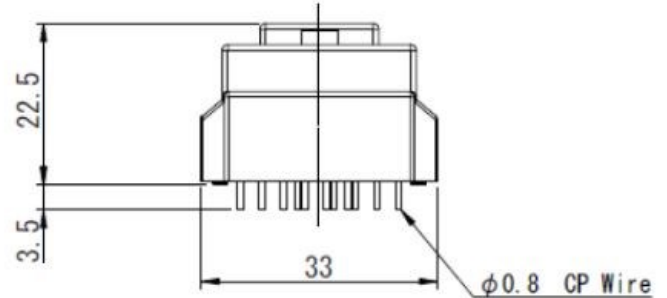
EPM Series

External dimensions

FE19S,FE19D



FE22S,FE22D



Pin assignment

FE19S, FE22S

Primary side			Secondary side		
Pin NO	Name	Description	Pin NO	Name	Description
8	FB	N.C. (unable to connect to other circuits)	1	-	No pin
9	VccW	N.C. (unable to connect to other circuits)	2	-	No pin
10	-DCIN	Input (-)	3	-	No pin
11	Vcc	Start-up time adjustment	4	SecW	N.C. (unable to connect to other circuits)
12	+DCIN	Input (+)	5	+DCOUT	Output (+)
13	-	No pin	6	N.C.	N.C. (unable to connect to other circuits)
14	Drain	Noise adjustment	7	-DCOUT	Output (-)

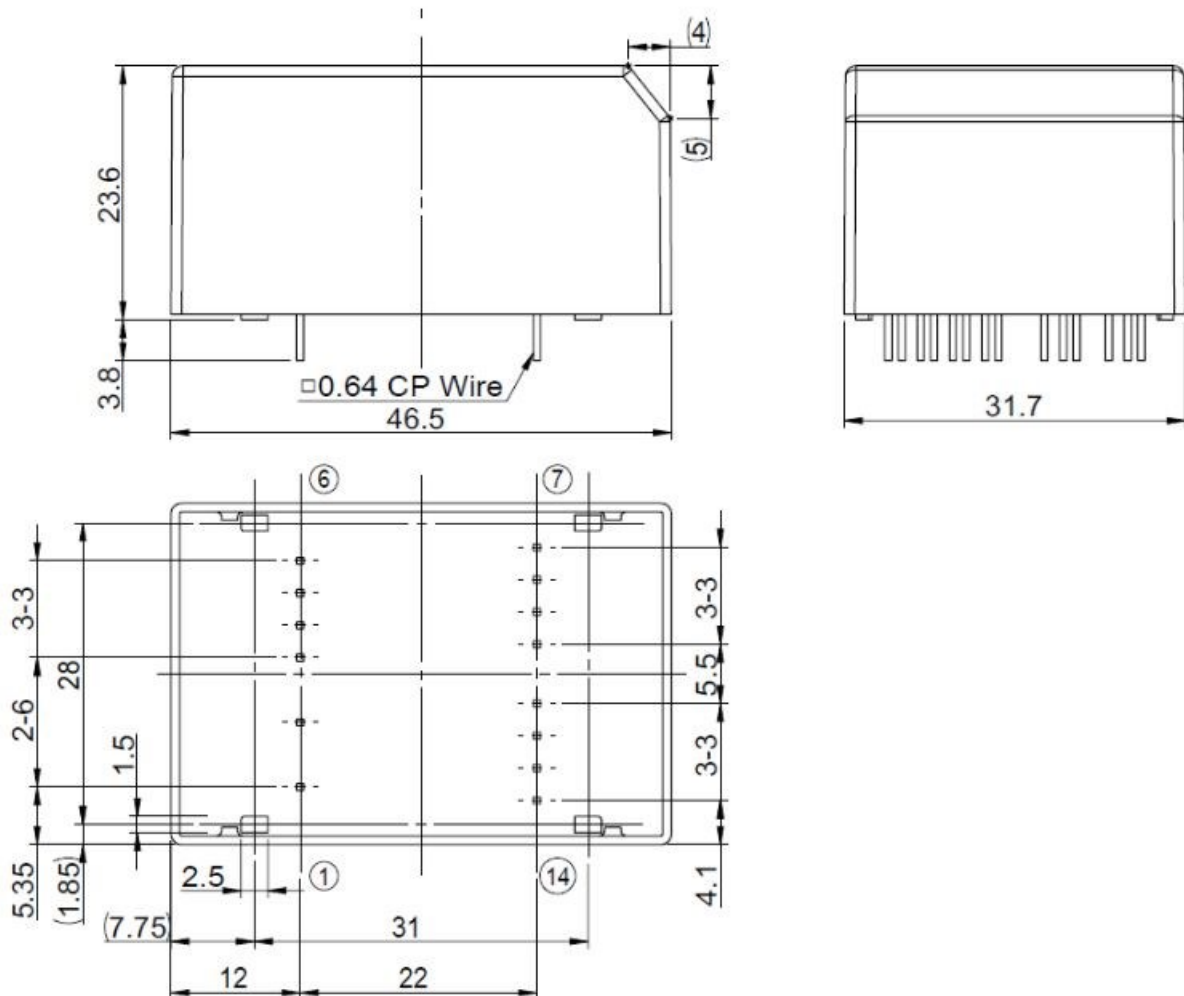
FE22D

Primary side			Secondary side		
Pin NO	Name	Description	Pin NO	Name	Description
8	FB	N.C. (unable to connect to other circuits)	1	SecW2-1	N.C. (unable to connect to other circuits)
9	VccW	N.C. (unable to connect to other circuits)	2	+DCOUT2	Output2(+)
10	-DCIN	Input (-)	3	SecW2-2	Relay(③-④pin short)
11	Vcc	Start-up time adjustment	4	SecW	N.C. (unable to connect to other circuits)
12	+DCIN	Input (+)	5	+DCOUT	Output1 (+)
13	-	No pin	6	Adjust	N.C. (unable to connect to other circuits)
14	Drain	Noise adjustment	7	-DCOUT	Output (-)

External Dimension / Pin Assignmet

BPM Series

External dimensions



Pin assignment

Primary side			Secondary side		
Pin No.	Name	Description	Pin No.	Name	Description
1	Vin(+)	Input (+)	7	REF	Output adjustment
2	Drain	Noise adjustment	8	RC(-)	Output detection(-)
3	Vin(-)	Input (-)	9	GND	Output (GMD)
4	Vcc	Start-up time adjustment	10	GND	Output (GMD)
5	VccW	Control pin	11	GND	Output (GMD)
6	N.C.	N.C. (unable to connect to other circuits)	12	Vout(+)	Output (+)
			13	Vout(+)	Output (+)
			14	RC(+)	Output detection(+)