

REV. Status

REVISION -  
03/24/05 MP

REVISION A  
ADDED REFLOW  
PROFILE & RoHS  
11/13/07 YS

REVISION B  
REVISED TEMP  
RATING  
06/08/15 MP

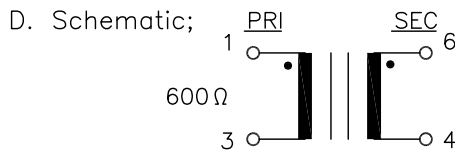
MINIATURE ENCAPSULATED TELECOMMUNICATION V.34 MODEM TRANSFORMER

A. Electrical Specifications (@ 25° C)

1. Primary Impedance; 600Ω
2. Secondary Impedance; 430Ω
3. Insertion Loss: 3.5dB MAX @ 2KHz, 0dBm
4. Frequency Response; ±0.25dB @ 200Hz to 4KHz, 0dBm
5. Longitudinal Balance; 80dB MIN @ 200Hz to 4KHz, 0dBm
6. Return Loss; 16dB MIN @ 200Hz to 4KHz, 0dBm
7. Primary Inductance; 4.0H MIN @ 200Hz, 0.78Vrms, Lp Measured (1-3)
8. Leakage Inductance; 7.0mH MAX @ 1KHz, 0.78Vrms Measured (1-3) with 6 & 4 shorted
9. DC Resistance; (1-3):150Ω ±15% (6-4):150Ω ±15%
10. Turns Ratio; (1-3):(6-4)=1:1.00 ±2%
11. Shunt Loss; 7.0kΩ MIN @ 200Hz, 0.78Vrms, Rp Measured (1-3)
12. Total Harmonic Distortion; -76dB MAX @ 600Hz, -10dBm (-82dB TYP)
13. Dielectric Strength; 1875Vrms 1 second @ Pri-Sec

B. Marking; TTC-5025H, TAMURA, date code and country of origin "H" designates Safety Agency approved family classification.

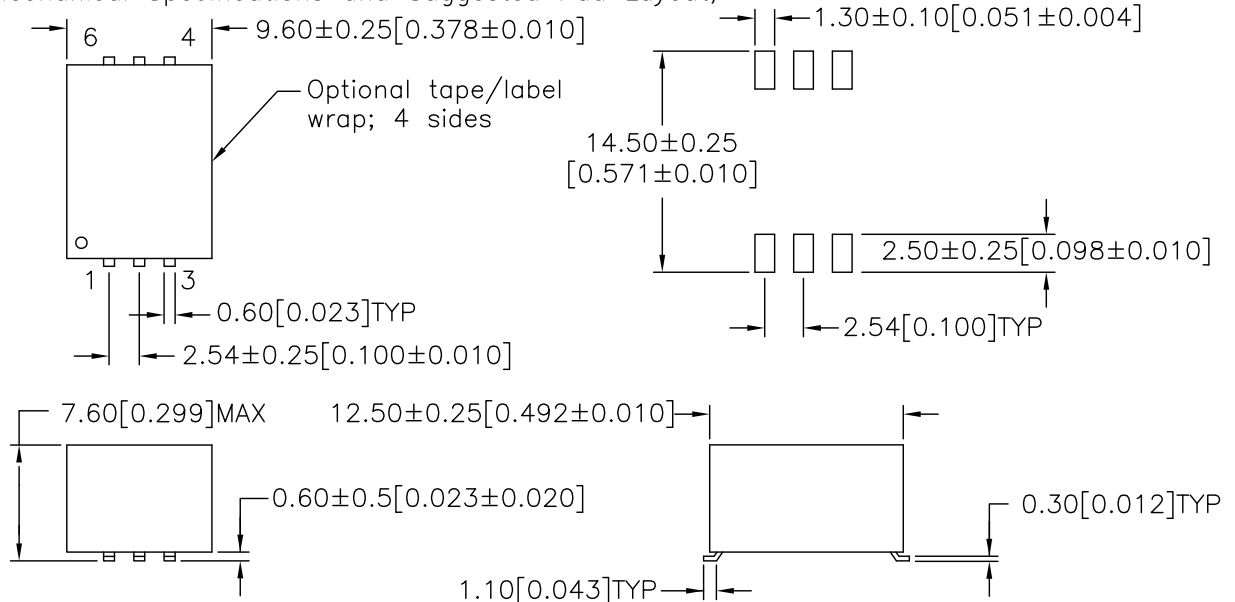
C. Safety; Certified to UL60950, EN60950



E. Operating Temperature: -20 to +85°C  
Storage Temperature: -20 to +85°C

F. Suggested Reflow Profile (Terminal)  
Customer to determine proper profile based on actual conditions.

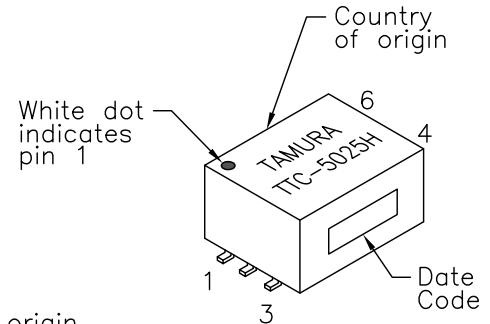
G. Mechanical Specifications and Suggested Pad Layout;



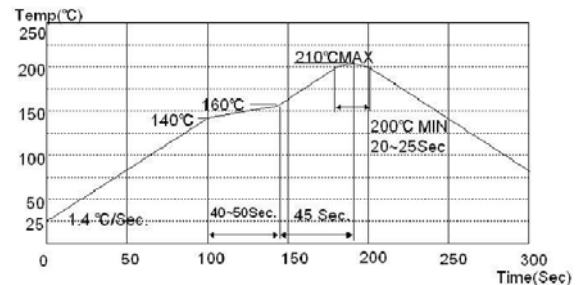
UL #E208555

MODEL NUMBER

TTC-5025



NOTE: Board washing is not recommended for these parts.



PREPARED BY:

C. POPPE

ENGINEER:

MATHI P.

SAFETY ENGINEER

DRAWING CONTROL NO.  
P-A1-13135

REV  
B

MODEL DESCRIPTION  
TELECOMMUNICATION V.34  
MODEM TRANSFORMER

MODEL SPECIFICATION

TTC-5025

CONTENTS OF THIS DRAWING ARE SUBJECT TO CHANGE WITHOUT PRIOR NOTICE

**TAMURA CORPORATION OF AMERICA**  
1040 SOUTH ANDREASEN DRIVE, #100 ESCONDIDO, CA. 92029  
(951) 699-1270 FAX 7607400536

DIM: mm[In] SCL: 2/1 SH: 1 OF 1

APPROVED:

M. PITCHAI

PROPRIETARY NOTICE: THIS DRAWING PRINT OR DOCUMENT AND SUBJECT MATTER DISCLOSED HEREIN ARE PROPRIETARY ITEMS TO WHICH TAMURA RETAINS THE EXCLUSIVE RIGHT OF DISSEMINATION, REPRODUCTION, MANUFACTURE AND SALE. THIS DRAWING, PRINT OR DOCUMENT IS SUBMITTED IN CONFIDENCE FOR CONSIDERATION BY THE RECIPIENT ALONE UNLESS PERMISSION FOR FURTHER DISCLOSURE IS EXPRESSLY GRANTED IN WRITING.