



TELECOMMUNICATION MODEM COUPLING TRANSFORMER FOR V.90 WET APPLICATION

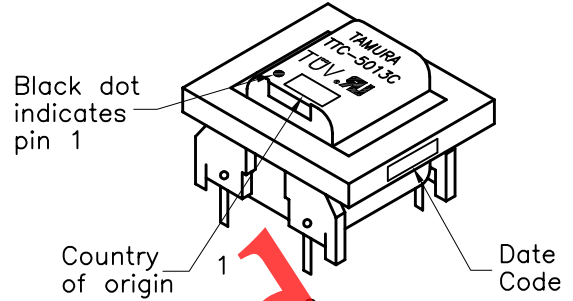
REV. Status

REVISION - 03/29/04 MP
REVISION A DELETED BAPT REVISED WIDTH & LENGTH DIMS 04/07/05 MP
REVISION B REVISED DIM: 24.00[0.945] WAS 23.70[0.933] 05/16/06 MP

- A. Electrical Specifications (@ 25°C)
1. Pri Source Impedance; 600Ω
2. Sec Load Impedance; 301Ω
3. Insertion Loss; 4.00dB MAX @ 1KHz, 0dBm, 65mADC
4. Frequency Response (relative to 1KHz) ±3.5dB @ 300Hz to 600Hz, 0dBm ±1.0dB @ 600Hz to 4KHz, 0dBm
5. Longitudinal Balance; 60dB MIN @ 200Hz to 1KHz 40dB MIN @ 1KHz to 4KHz
6. Return Loss; 15dB TYP @ 1KHz, 0dBm
7. DC Resistance; (1-2)= 150Ω ±15% (3-4)= 150Ω ±15%
8. Turns Ratio; (1-2):(4-3) = 1:1.00±2%
9. Dielectric Strength; 1875Vrms 1 second Pri to Sec
10. Total Harmonic Distortion: -82dB MAX @ 600Hz, -10dBm, 65mADC



MODEL NUMBER TTC-5013

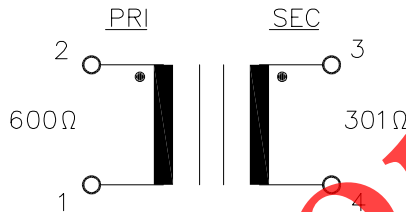


B. Marking; TTC-5013C, TAMURA, date code and country of origin "C" designates UL approved family classification

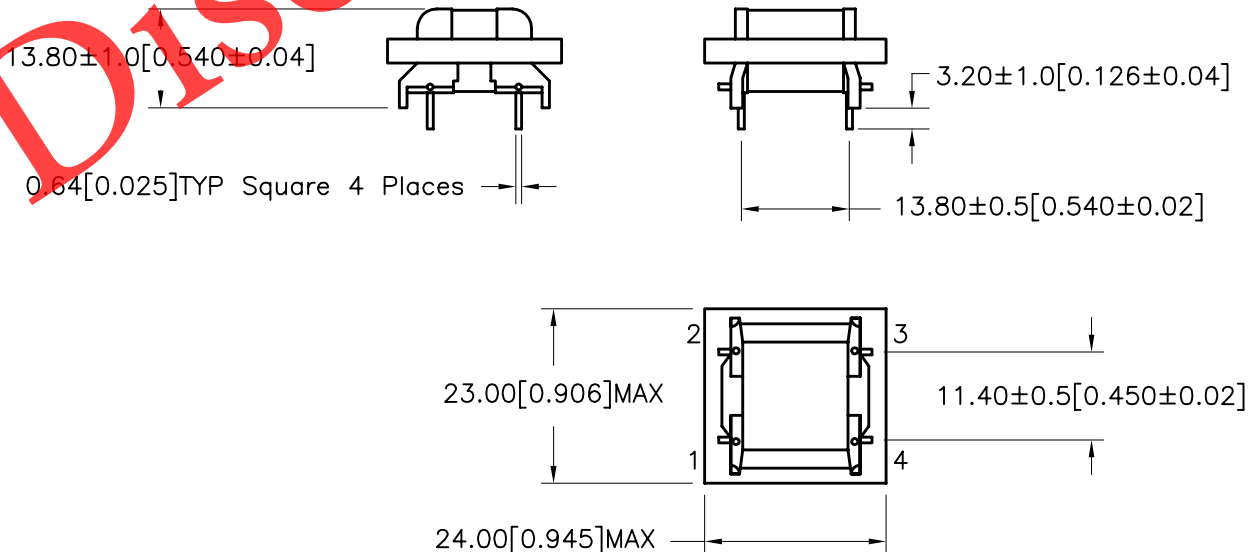
C. Safety: UL 1950 3rd Edition, UL60950, EN60950



D. Schematic Diagram



E. Mechanical Specifications



PREPARED BY: K. BRENNAN

ENGINEER: M. PITCHAI

DWG CONTROL NO. P-A1-12513 ACAD\TTC\A1125131.DWG REV B

MODEM COUPLING TRANSFORMER

TTC-5013

QUALITY CONTROL: T. CLEM

CONTENTS OF THIS DRAWING ARE SUBJECT TO CHANGE WITHOUT PRIOR NOTICE

TAMURA CORPORATION OF AMERICA 43352 BUSINESS PARK DRIVE, TEMECULA, CA. 92590-6624 (951) 699-1270 FAX 9516769482

MODEL SPECIFICATION DIM: mm[In] SCL: 1/1 SH: 1 OF 1

APPROVED: Y. SEKIGUCHI

PROPRIETARY NOTICE: THIS DRAWING PRINT OR DOCUMENT AND SUBJECT MATTER DISCLOSED HEREIN ARE PROPRIETARY ITEMS TO WHICH TAMURA RETAINS THE EXCLUSIVE RIGHT OF DISSEMINATION, REPRODUCTION, MANUFACTURE AND SALE. THIS DRAWING, PRINT OR DOCUMENT IS SUBMITTED IN CONFIDENCE FOR CONSIDERATION BY THE RECIPIENT ALONE UNLESS PERMISSION FOR FURTHER DISCLOSURE IS EXPRESSLY GRANTED IN WRITING.